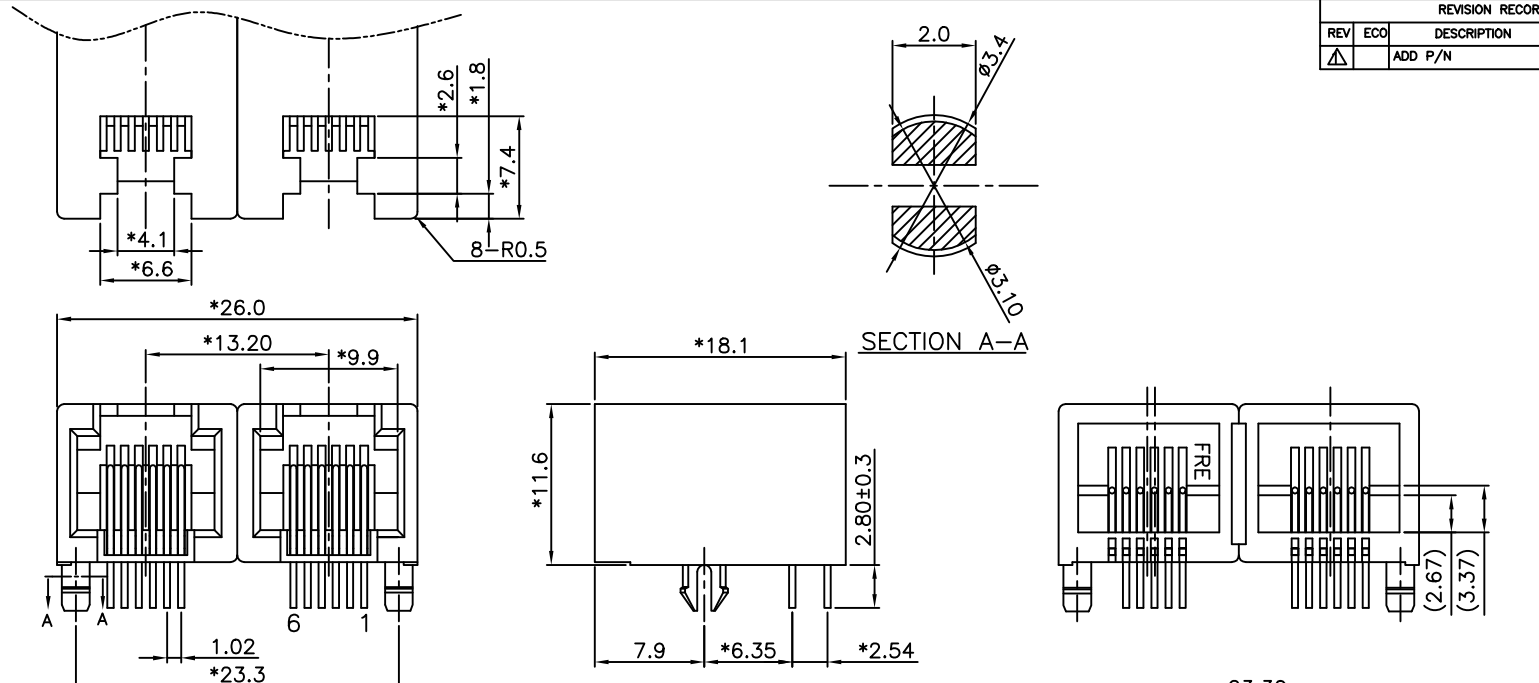


REVISION RECORD				
REV	ECO	DESCRIPTION	DRFT	CHKD
Δ		ADD P/N	06/07/06*	



NOTES:

ELECTRICAL:

1. VOLTAGE RATING : 150 VAC RMS.
2. CURRENT RATING : 1.5 AMP.
3. CONTACT RESISTANCE : 60 MILLIOHMS MAX.
4. INSULATION RESISTANCE: 1000 MEGOHMS MIN @ 500 VDC.
5. DIELECTRIC STRENGTH : 1000 VAC RMS 60Hz, 1MIN.

MECHANICAL:

1. HOUSING MATERIAL : NYLON+25%.G.F OR PBT+15%.G.F UL94V-0.
2. CONTACT MATERIAL : PHOSPHOR BRONZE Ø0.46mm.
3. PLATING : GOLD PLATING OVER NICKEL.
4. OPERATING LIFE : 750 CYCLES MIN.
5. PCB RETENTION PRE-SOLDER : 1 LB MIN.
6. PCB RETENTION POST-SOLDER: 10 LBS MIN.

ENVIRONMENTAL:

1. STORAGE : -40°C TO +85°C.
2. OPERATION: -40°C TO +85°C.
3. WAVE SOLDERING TEMPERATURE: 230~250°C (3~5 SECONDS)

MATES WITH MODULAR PLUG CONFORMING TO FCC PART 68, SUBPART F.

PART NUMBER: E536X-305XXX-L

NO. OF CONTACT	1- 3u"	2- 6u"
2-2C	3-15u"	4-30u"
4-4C	5-50u"	6-Pd 20u"
6-6C	4F-FR50	
	OF-PBT+15%.G.F Δ	

PC Board Layout Component Side Shown

DETACHED LISTS	MM (INCH)	DFTO YAN	DATE 06/21/05*	FULL RISE ELECTRONIC CO., LTD		
	TOLERANCES EXCEPT AS NOTED	CHKD	DATE			
	MM	MFO	DATE	TITLE SIDE ENTRY DUAL PORTS 6P		
	.0 ±0.20 ±	APPVLOSCAR	DATE 01/11/06			
.00 ±0.15 ±	MATERIAL :	DRAWING NO. GE533075-LC		SIZE	REV	
.000 ±0.075 ±	ANGLES ±	QTY :	/PART NO. SEE NOTE		A3	1
THIRD ANGLE PROJECTION	FINISH :	SCALE :	DO NOT SCALE DRAWING		SHEET X	OF Y